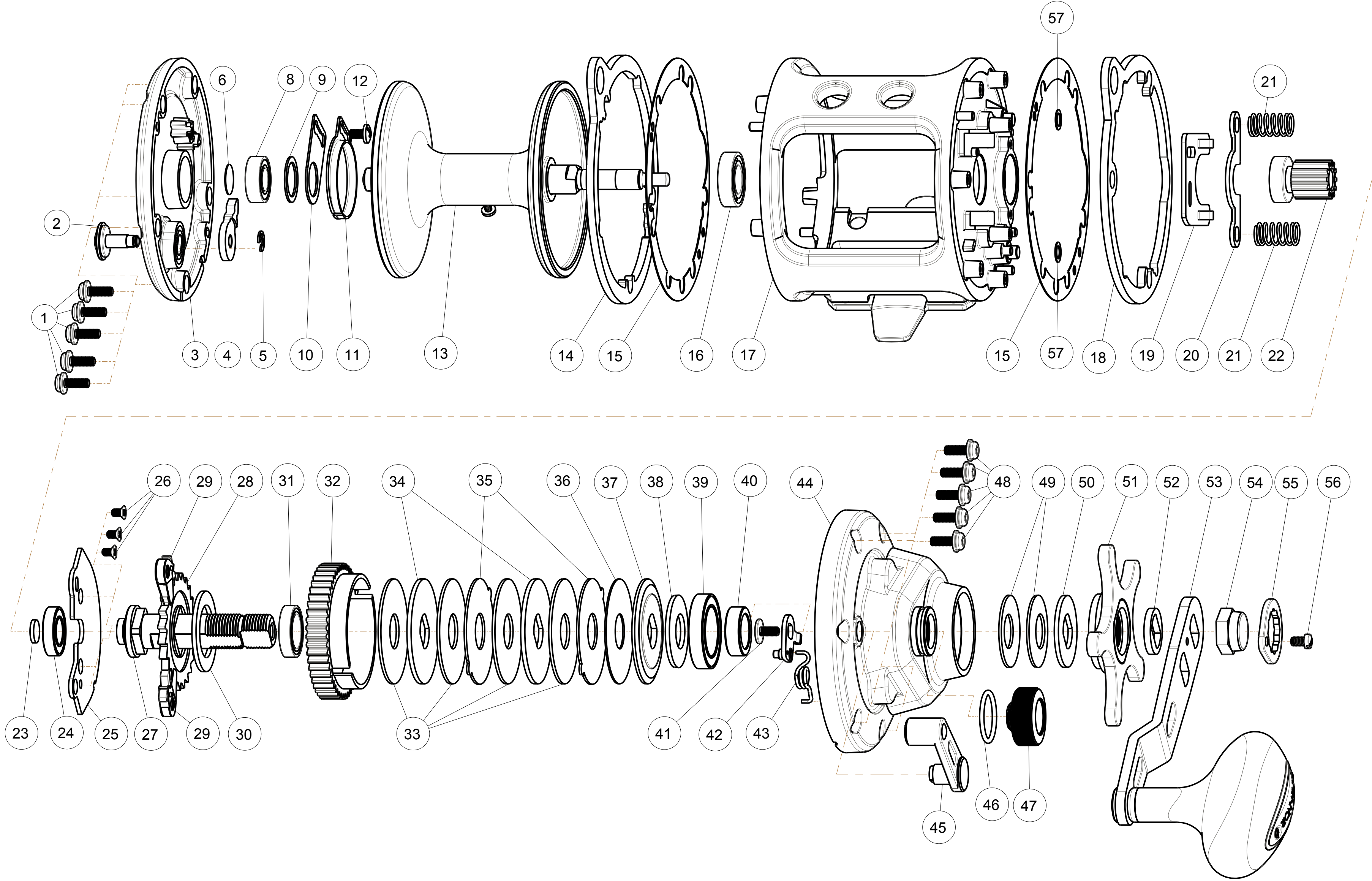


# SPORT FISHER STAR DRAG EXPLODE VIEW ST30/ST30WL/ST50/FBT30/FBT50



| Key No. | Description                | Sports Fisher |          |          | Key No.                | Description                 | Sport Fisher |          |          |
|---------|----------------------------|---------------|----------|----------|------------------------|-----------------------------|--------------|----------|----------|
|         |                            | ST30          | ST30WL   | ST50     |                        |                             | ST30         | ST30WL   | ST50     |
| 1       | Palm Side Cover Screw      | DA057-01      | ↔        | ↔        | 32                     | Drive Gear                  | DA012-01     | ↔        | EA012-01 |
| 2       | Spool Click Button         | DA109-01      | ↔        | ↔        | 33                     | Drag Disc "A"               | DA059-01     | ↔        | EA059-01 |
| 3       | Palm Side Cover            | DA023-01      | ↔        | EA023-01 | 34                     | Drag "D" Washer             | DA045-01     | ↔        | EA045-01 |
| 4       | Spool Click Pawl           | DA108-01      | ↔        | ↔        | 35                     | Drag Key Washer             | DA048-01     | ↔        | EA048-01 |
| 5       | E-Clip                     | QW120-01      | ↔        | ↔        | 36                     | Drag Disc "B"               | DA059-02     | ↔        | EA059-02 |
| 6       | Bearing Washer "A"         | DA035-01      | ↔        | ↔        | 37                     | Drag Washer                 | MF045-01     | ↔        | GA045-01 |
| 8       | Ball Bearing               | UK028-02      | ↔        | ↔        | 38                     | Belleville Washer           | DA046-01     | ↔        | FA046-01 |
| 9       | Bearing Washer "D"         | DA038-01      | ↔        | ↔        | 39                     | Crank Shaft Ball Bearing    | GA058-01     | ↔        | ↔        |
| 10      | Bearing Retainer           | RF129-02      | ↔        | ↔        | 40                     | Crank Shaft Bushing         | DA117-01     | ↔        | DA117-02 |
| 11      | Spool Clicker Spring       | RF022-02      | ↔        | ↔        | 41                     | Screw                       | DA053-01     | ↔        | ↔        |
| 12      | Spool Click Spring Screw   | RF053-01      | ↔        | ↔        | 42                     | Clutch Cam Assembly         | DA384-01     | ↔        | ↔        |
| 13      | Spool Assembly             | DA321-01      | DA321-51 | EA321-01 | 43                     | Clutch Spring               | DA104-01     | ↔        | ↔        |
| 14      | Harness Lug - Palm Side    | DA151-01      | ↔        | EA151-01 | 44                     | Gear Side Cover             | DA024-01     | DA024-03 | EA024-01 |
| 15      | Harness Lug Spacer         | FA094-01      | ↔        | GA094-01 | 45                     | Clutch Lever                | DA009-01     | ↔        | ↔        |
| 16      | Ball Bearing               | CF017-02      | ↔        | ↔        | 46                     | O-Ring                      | DA101-01     | ↔        | ↔        |
| 17      | Frame Assembly             | DA301-01      | ↔        | EA301-01 | 47                     | Spool Tension Knob Assembly | DA333-01     | ↔        | ↔        |
| 18      | Harness Lug - Gear Side    | FA151-01      | ↔        | GA151-01 | 48                     | Gear Side Cover Screw       | DA057-01     | ↔        | EA057-01 |
| 19      | Release Slider             | DA039-01      | ↔        | EA039-01 | 49                     | Belleville Washer           | EA046-01     | ↔        | GA046-01 |
| 20      | Pinion Yoke                | DA025-01      | ↔        | ↔        | 50                     | "D" Washer                  | FA035-01     | ↔        | EA035-01 |
| 21      | Yoke Spring                | DA040-01      | ↔        | ↔        | 51                     | Star Drag Assembly          | DA355-01     | ↔        | EA355-01 |
| 22      | Pinion Gear                | DA011-01      | ↔        | EA011-01 | 52                     | Spacer                      | DA094-01     | ↔        | EA094-01 |
| 23      | Drive Shaft Pad            | RF155-01      | ↔        | ↔        | 53                     | Handle Assembly             | DA318-01     | ↔        | EA318-01 |
| 24      | Ball Bearing               | EA117-01      | ↔        | ↔        | 54                     | Handle Nut                  | DA003-01     | ↔        | EA003-01 |
| 25      | Crank Shaft Retainer       | DA002-01      | ↔        | EA002-01 | 55                     | Handle Nut Retainer         | DA034-01     | ↔        | EA034-01 |
| 26      | Crank Shaft Retainer Screw | RF107-01      | ↔        | ↔        | 56                     | Handle Nut Screw            | DA065-01     | ↔        | ↔        |
| 27      | Crank Shaft                | DA008-01      | ↔        | EA008-01 | 57                     | Washer                      | EA032-01     | ↔        | ↔        |
| 28      | Anti Reverse Ratchet       | DA091-01      | ↔        | EA091-01 | Additional service Kit |                             |              |          |          |
| 29      | Anti Reverse Pawl Assembly | DA363-01      | ↔        | ↔        |                        | Wrench & Driver             | DA113-01     | ↔        | ↔        |
| 30      | Ratchet Washer             | DA111-01      | ↔        | EA111-01 |                        | Torx Wrench - T15           | EA113-01     | ↔        | ↔        |
| 31      | Crank Shaft Ball Bearing   | DA058-01      | ↔        | EA058-01 |                        | Rod Clamp Assy              | RF3154-01    | ↔        | ↔        |

- b Remove No. 7
- c Key No. 4 & 11 part No. change
- d Key No. 11 part No. change

1/28/2010  
3/29/2010  
5/7/2010